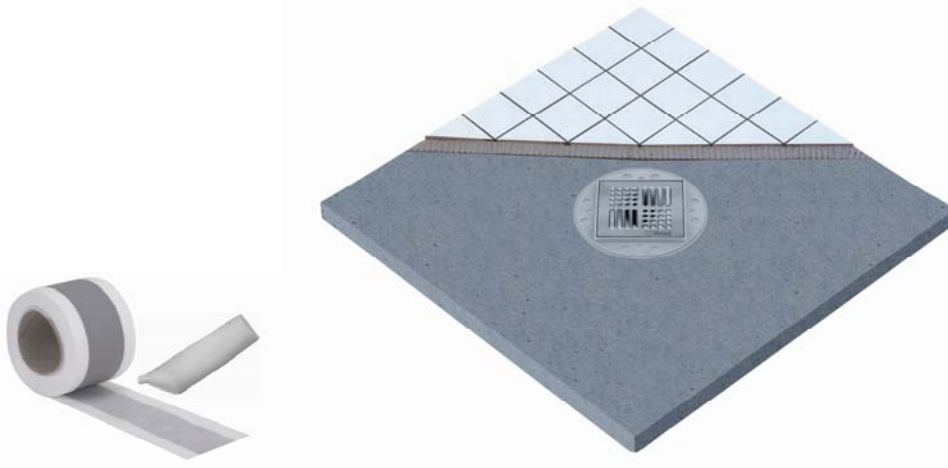


Approved for Issue - 5 June 2008

**iBase 450 - 1200 x 1200**

A high quality ready-to-tile 'All Inclusive' Wet Room in a Box Kit for Natural Stone or Tiles. Includes: Light, quick & easy to assemble Shower Base Kit with Pre-Formed Gradients, & a simple Waterproof Installation Kit. Supplied with all fittings & instructions.

E&OE



**PRODUCT CHARACTERISTICS**

- .. Hard Compressed Polymer Shower Base c/w Flat Underside, Flat Gradients at 2.5% leading to Outlet with Factory Fit Collar to suit Waste Kit
- Self Supporting Waste & Trap Assembly with choice of Horizontal or Vertical outlet pipe (DIN 50mm)
- Stainless Steel Outlet Grate with Free Floating Retaining Ring (Lateral & Rotational Adjustment)
- Installation Sealing Kit comprising Joint Sealing Tape & Waterproofing Sealant

**APPLICATIONS**

iBase 450 kits are suitable to construct & seal the floor of a shower area within a wet room type bathroom. Suits :

- En-Suites – small bathrooms where space efficiency is at a premium
- High End Designer Bathrooms – Large sizes add to the feeling of space within a shower area
- Wheelchair & Special Needs– Bathrooms where accessibility is a essential element of the design
- Refurbishments & New Build
- Floor Structures – Designed for Concrete, with easy adaptation to suit Board over Wooden Joist

**TECHNICAL DATA**

- Size - iBase 450 : 1200 x 1200
- Profile : Standard 50mm
- Gradient : 2.5% or greater generally, dependant upon point of measurement
- Waste & Trap : DIN 50mm (Supplied with UK ABS Converter)
- Installation Sealing Kit  
 iBase 450 : Waterproof Sealant (RP) in 500g Tube(s) & Joint Sealing Tape, size dependant, min 4.5m

**MATERIAL**

- Shower Base : Waterproof High Pressure & Temperature Moulded Hard Polymer, & factory applied waterproof coating
- Outlet Grating : Pressed 304 Grade Stainless Steel with BRUSHED Finish & Polymer Moulded Retaining Ring
- Waste & Trap : PP Moulding to suit 50mm Pipe
- DIN 50mm > 2" BS Converter : ABS for Solvent Weld

Approved for Issue - 5 June 2008

**CAPACITY**

- Waste & Trap : Horizontal (42Ltrs/Min), Vertical (60Ltrs/Min)

**DISPOSAL**

- Packaging should be disposed of according to local bylaws.

**INSTALLATION INSTRUCTIONS**

- See Separate Sheet - Included in Package

**PACKAGING**

- Cardboard Box – to suit Shower Base, c/w large volume 'end' box containing all ancillaries

**CONTENTS**

Supplied in Single BOX

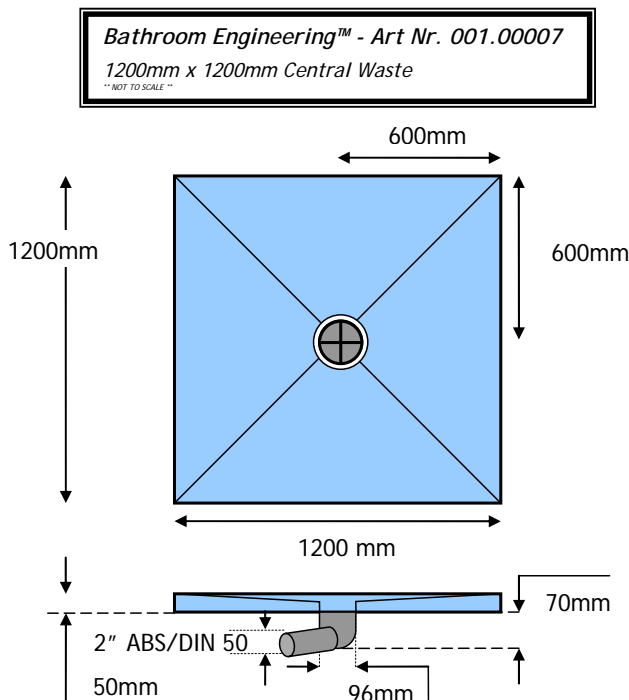
- Shower Base
- Waste & Trap – Horizontal / Vertical
- Stainless Steel Grating
- Installation Instructions
- Waterproof Sealant RP – Tube(s)
- Waterproof JST (Joint Sealing Tape) – Size dependant, 4.5m, or more
- Converter for waste & trap to suit UK ABS 2" Solvent weld waste pipe

**SPECIFICATION CLAUSE**

The specification should read:

- Bathroom Engineering™ iBase 450 'All-Inclusive' Wet Room Shower Kit, c/w a 50mm horizontal & vertical waste and trap system with a minimum 42ltr/min capacity, floating retaining ring, matching grate, & Waterproof Install Kit incl. Joint Sealing Tape.

<u>Range</u>	<u>Size</u>	<u>ART No.</u>
iBase 450	1200 x 1200 Central Outlet, Horiz +Vert Waste, Install Kit	001.00007



E&OE  
 We reserve the right to alter & amend specifications without prior notice  
 This is not a specification document & does not guarantee performance  
 © Bathroom Engineering™ June 08

Bathroom Engineering™ is the trading name of Linden Wray Ltd.  
**Registered in England N<sup>o</sup>. 4323895**