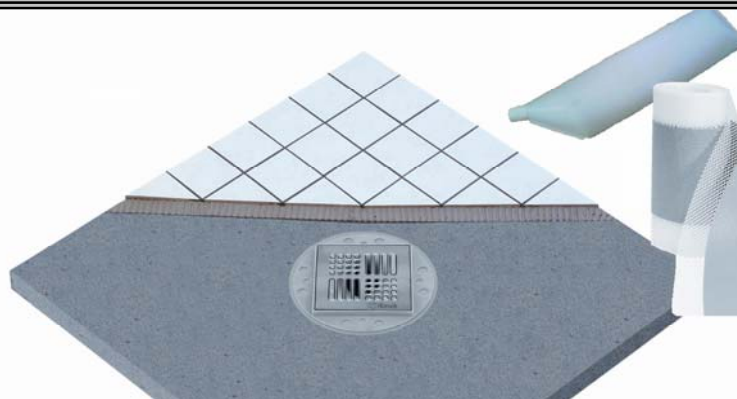


Approved for Issue - 4 June 2008

iBase 450

Light, quick & easy to assemble, these high quality Shower Bases come with Pre-Formed Gradients, a horizontal or vertical waste & trap kit, & a Stainless Steel Grating. Complete with a Waterproof Installation Kit, fittings & instructions. Originally for CONCRETE Floors

E&OE



PRODUCT CHARACTERISTICS

- Hard Compressed Polymer Shower Base c/w Flat Underside, Flat Gradients at 2.5% leading to Outlet with Factory Fit Collar to suit Waste Kit
- Self Supporting Waste & Trap Assembly with choice of Horizontal or Vertical outlet pipe (DIN 50mm),
- Stainless Steel Outlet Grate with Free Floating Retaining Ring (Lateral & Rotational Adjustment)
- INCLUDES an Installation Sealing Kit comprising Waterproofing Sealant & Joint Sealing Tape

APPLICATIONS

iBase 450 Kits are suitable to build a ready-to-tile floor & seal it into a shower area or within a wet room type bathroom. Suits :

- En-Suites : small bathrooms where space efficiency is at a premium
- High End Designer Bathrooms : large sizes add to the feeling of space within a shower area
- Wheelchair & Special Needs : bathrooms where accessibility is a essential element of the design
- Refurbishments & New Build
- Floor Structures : Designed for CONCRETE, with easy adaptation to suit Board over Wooden Joist

TECHNICAL DATA

- Size : See Table Below – 12 x Standard Sizes
: Central & Off-Set Waste Outlet
- Profile - FORM 450 : Standard 45mm. See Table
: Standard 50mm See Table
- Gradient : 2.5% or greater generally, dependant upon point of measurement
- Waste & Trap : DIN 50mm (Supplied with UK ABS Converter)

MATERIAL

- Shower Base : Waterproof High Pressure & Temperature Moulded Hard Polymer, & factory applied waterproof coating
- Outlet Grating : Pressed 304 Grade Stainless Steel with BRUSHED Finish & Polymer Moulded Retaining Ring
- Waste & Trap : PP Moulding to suit 50mm Pipe

CAPACITY

- Waste & Trap : Horizontal (42Ltrs/Min), Vertical (60Ltrs/Min). Multiple Outlets – See Custom Made

DISPOSAL

- Packaging : To be disposed of according to local bylaws.

INSTALLATION INSTRUCTIONS

- See Separate Sheet : Included in Package

Approved for Issue - 4 June 2008

PACKAGING

- Cardboard Box : to suit Shower Base, c/w all ancillaries

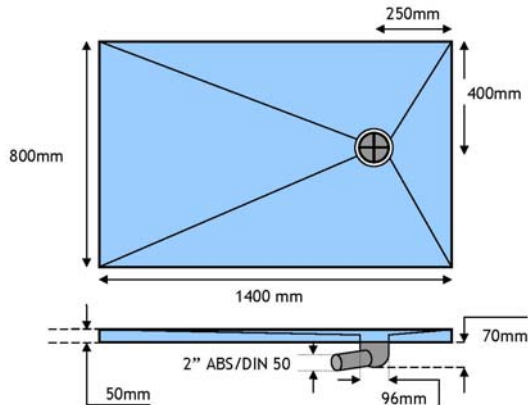
CONTENTS

Supplied in Single or 1x or 2x BOXES (product Dependant)

- Shower Base
- Waste & Trap – Horizontal / Vertical
- Stainless Steel Grating
- Installation Instructions
- AquaeSEAL Waterproofing Installation Kit
- Converter for waste & trap to suit UK ABS 2" Solvent weld waste pipe

Range	Size	ART No.
iBase 450	800 x 800, Central Outlet, Horiz & Vertical Waste, ECO Install Kit	001.00002
iBase 450	900 x 900, Central Outlet, Horiz & Vertical Waste, ECO Install Kit	001.00003
iBase 450	1000 x 800, Central Outlet, Horiz & Vertical Waste, ECO Install Kit	001.00004
iBase 450	1000 x 1000, Central Outlet, Horiz & Vertical Waste, ECO Install Kit	001.00005
iBase 450	1200 x 900, Central Outlet, Horiz & Vertical Waste ECO Install Kit	001.00006
iBase 450	1200 x 1200, Central Outlet, Horiz & Vertical Waste, ECO Install Kit	001.00007
iBase 450	1400 x 800, OFF-SET Outlet, Horiz & Vertical Waste, ECO Install Kit	001.00012
iBase 450 PLUS	1400 x 900, Central Outlet, Horiz & Vertical Waste, UNO Install Kit	001.00008
iBase 450 PLUS	1500 x 900, Central Outlet, Horiz & Vertical Waste, UNO Install Kit	001.00013
iBase 450 PLUS	1500 x 1500, Central Outlet, Horiz & Vertical Waste, UNO Install Kit	001.00009
iBase 450 PLUS	1700 x 800, Central Outlet, Horiz & Vertical Waste, UNO Install Kit	001.00010
iBase 450 PLUS	1800 x 900, Central Outlet, Horiz & Vertical Waste, UNO Install Kit	001.00011

Except 001.00012, all Shower bases have the outlet located centrally along Horizontal & Vertical Dimensions



Drawing of 001.00012

E&OE
 We reserve the right to alter & amend specifications without prior notice
 This is not a specification document & does not guarantee performance
 © Bathroom Engineering™ June 08