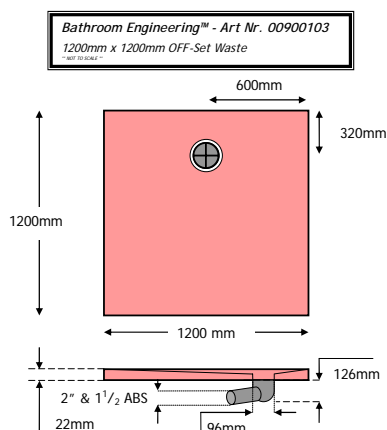


Approved for Issue - 4 June 2008

FORM 22 – 1200 x 1200

Robust, Low Profile & Designed for fitting onto wooden floors, these 22mm thick GRP wet room shower bases replace part of the floor, creating a gradient leading to a waste outlet. Designed for a Tile Finish, although pumped wastes or commercial floor finishes like vinyl are options.

E&OE



PRODUCT CHARACTERISTICS

- GRP based hard Shower Base c/w Flat Underside, 17mm Gradients leading to Outlet with Factory Fit Collar to suit Waste Kit
- Self Supporting Waste & Trap Assembly with Horizontal outlet pipe (DIN 50mm)(Vertical available- special order)
- Stainless Steel Outlet Grate with Height Adjustment
- OPTIONAL - Installation Sealing Kit comprising Joint Sealing Tape & Waterproofing Sealant (see iForm 22)

APPLICATIONS

FORM 22 kits are suitable to construct & seal the floor of a shower area within a wet room type bathroom. Suits:

- En-Suites – small bathrooms where space efficiency is at a premium
- High End Designer Bathrooms – Large sizes add to the feeling of space within a shower area
- Wheelchair & Special Needs– Bathrooms where accessibility is a essential element of the design
- Refurbishments & New Build
- Floor Structures – Designed for Board over Wooden Joist

TECHNICAL DATA – DIMENSIONS & SIZE

- Sizes : 1200 x 1200
- Profile : Low Profile 22mm at the outer edge
- Gradient : 17mm generally, dependant upon point of measurement
- Waste & Trap : 2" UK (c/w 1½ ABS Converter)
- Waterproofing Kit : AquaeSEAL – UNO (5m²) or MEDIO (10m²) – See Data Sheet
(Optional Extra) : AquaeTILE –UNO (5m²) or MEDIO (10m²) – See Data Sheet
: Other Systems – Contact us

TECHNICAL DATA – MATERIAL

- Shower Base : GRP, 22mm Thick, with a 17mm Gradient leading to the Outlet
- Grating : 5mm thick 304 Stainless Steel Plate
- Grating : Height Adjustment, 6mm to 26mm for ceramic tiles
- Waste & Trap : ABS Solvent Weld 126mm Deep, designed for tiles
- Outlet : Location is Model Dependant – Off-set
- Weight Loading : Will support in excess of 250kg (recommend support between joists)
- Gradient : 17mm Gradient runs in all directions across the length or width of the base

Approved for Issue - 4 June 2008

TECHNICAL DATA – OPTIONS

- This model is designed for Tiles. Contact us for the following options
 - : Grating for Vinyl Floors (Normally Commercial, Industrial & Institutional Projects)
 - : Pumped Drainage (when gravity drainage isn't available)
 - : Alternative Waterproofing
 - : Undertile Heating (contact us for further info)

CAPACITY

- Waste & Trap : Horizontal (max 22Ltrs/Min). Call us to confirm the latest Specification

DISPOSAL

- Packaging : To be disposed of according to local bylaws.

INSTALLATION INSTRUCTIONS

- See Separate Sheet : Included in Package

PACKAGING

- Base : Protective Corners & Shrunken Polywrap
- Waste & Trap : Cardboard Box to suit all ancillaries

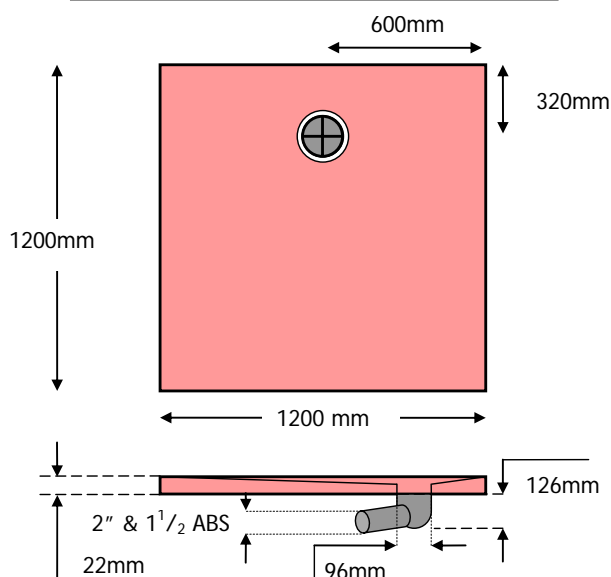
CONTENTS

Supplied in 2x BOXES (product Dependant)

- Shower Base
- Waste & Trap – Horizontal / Vertical
- Stainless Steel Grating
- Installation Instructions

Range	Size	ART No.
FORM 22	1200 x 1200, OFF-SET Outlet, Horiz Waste, Install Kit	009.00103

Bathroom Engineering™ - Art Nr. 00900103
 1200mm x 1200mm OFF-Set Waste
 NOT TO SCALE



E&OE
 We reserve the right to alter & amend specifications without prior notice
 This is not a specification document & does not guarantee performance
 © Bathroom Engineering™ June 08