

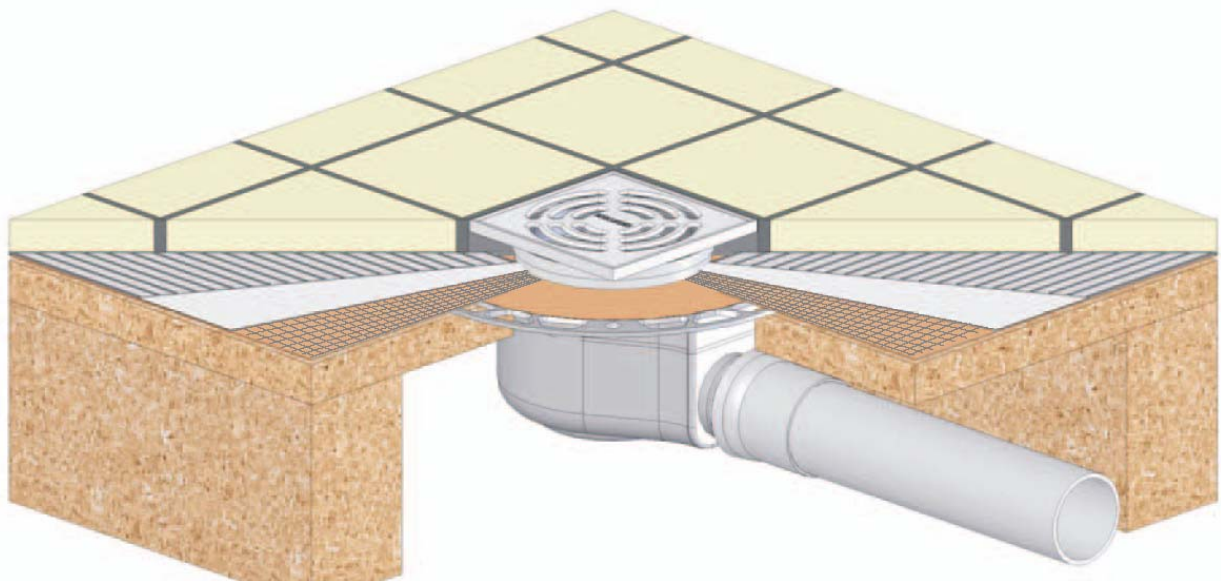
Approved for Issue - 25 July 2008

**Single Point FLOOR DRAIN – Wood over Joist**

A simple solution, to fitting a 'single point' floor drain, this waste & trap assembly can be installed very quickly with the minimum of fuss.

Comes complete with a High Quality Stainless Steel Grate, & a full 50mm Water Seal Trap

E&OE



**PRODUCT CHARACTERISTICS**

- Floor Drain & Trap Assembly, with Horizontal outlet connection, c/w 15 degree adjustable ball joint.
- Fits straight into a BS 2" Waste Pipe.
- Stainless 304 Grade Steel Grate with Retaining Tray
- Offers height & rotational adjustment
- Optional : Install Sealing Kit c/w Joint Sealing Tape & Waterproofing Sealant (Sold Separately)  
 : CUBE, Designer Stainless Steel Grate (Sold Separately)

**APPLICATIONS**

Floor Drain is suitable for the floor of a shower area within a wet room type bathroom. Suits :

- En-Suites – small bathrooms where space efficiency is at a premium
- High End Designer Bathrooms
- Wheelchair & Special Needs – Bathrooms where accessibility is an essential element of the design, but the location brings design difficulties
- Refurbishments & New Build
- Floor Structures – Designed to drop into Wood over Joist floors
- Provides the required 50mm Water Seal Trap, & secures a high quality Stainless Steel Grate within the finished floor.
- Suitable for TILE Finishes only, & requires a suitable fall, or gradient to be manually created within the floor, to force excess water towards & down the waste pipes.

**TECHNICAL DATA**

- Size Criteria : Fits BS 2" Waste Pipe
- Shape : Square Grate, 120mm x 120mm
- Gradient : Must be manually created. We would recommend 2.5% approx.
- Trap : removable trap, with 50mm Water Seal
- Waterproofing : None supplied. Suits all commonly available types
- Tiles : Can take Tiles & Adhesive in excess of 30mm thick

Approved for Issue - 25 July 2008

**MATERIAL**

- Body : Polypropylene
- Grating Frame : ABS, 120mm x 120mm
- Grating : 115mm x 115mm Pressed 304 Grade Stainless Steel, Class K3

**CAPACITY**

- Waste & Trap : 35 Ltrs/Min

**DISPOSAL**

- Packaging : To be disposed of according to local bylaws.

**INSTALLATION INSTRUCTIONS**

- Separate Sheet : Included in Package

**PACKAGING**

- Cardboard Box : to suit

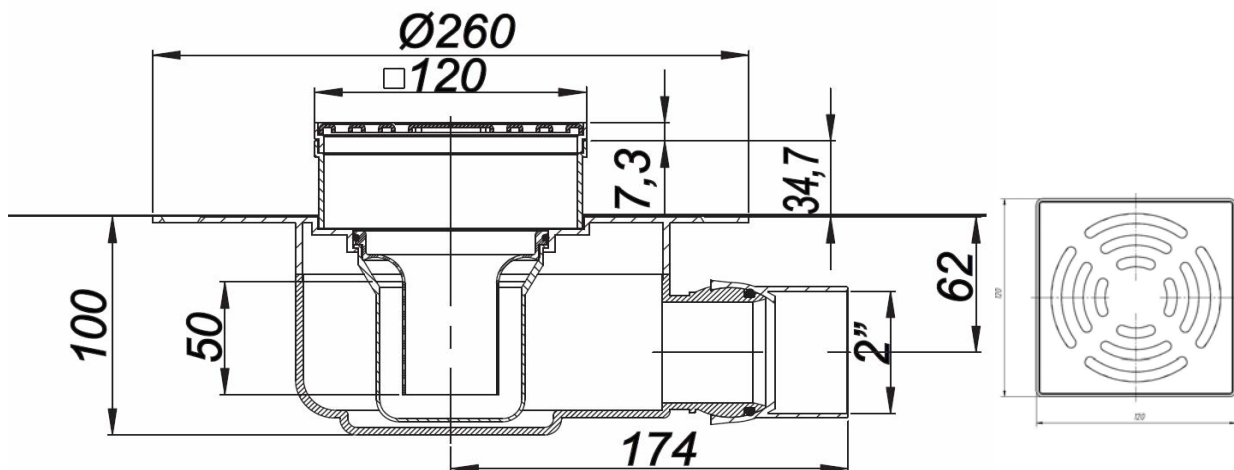
**CONTENTS**

Supplied in Single BOX

- Floor Drain Waste & Trap
- Stainless Steel Grating
- Installation Instructions

Range	Size	ART No.
AquaefLOW™	Single Point Floor Drain, c/w Trap, Wood/Joist-Std Grate	011.00340
AquaefLOW™	Single Point Floor Drain, c/w Trap, Wood/Joist-CUBE Grate	011.00341

Image / Drawing



E&OE  
 We reserve the right to alter & amend specifications without prior notice  
 This is not a specification document & does not guarantee performance  
 © Bathroom Engineering™ July 08