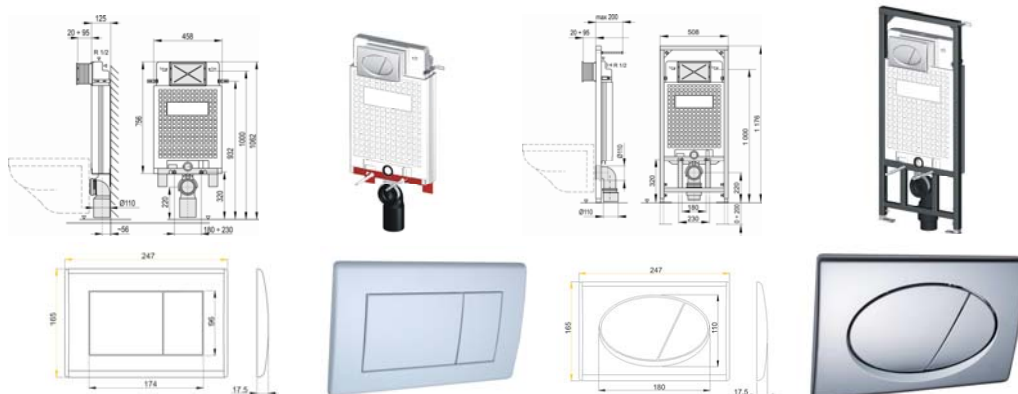


**AquaeDUCT™ WALL HUNG Installation Systems**

Range of Premium Installation Systems for Space Saving Wall Mounted WC's, Basins, Bidets & Urinals. Contemporary Flush Plate designs, added to high quality engineering, result in market leading products that are quick & easy to assemble. Available to fit in front of walls, within solid or stud walls & include all fittings & instructions.

E&OE



**APPLICATIONS**

AquaeDUCT™ universal load bearing installation systems are suitable for installing Wall Hung WC's, basins, bidets, & urinals within en-suites, cloakrooms or other bathroom projects where sanitary-ware is required off the floor. Suitable for:

- En-suites & small bathrooms where space is at a premium
- Larger Bathrooms where sleek designs & ease of cleaning are a priority
- The majority of current construction systems.
- Domestic, light commercial, new build or refurbishment projects

**PRODUCT CHARACTERISTICS**

- Load bearing installation system for secure fitting of wall hung sanitary-ware from all major brands
- Made & approved to relevant Standards
- Reduces intrusion of sanitary-ware & increases available floor space within bathrooms
- Completely designed & manufactured at our own European facility, to ISO 9001 : 2000
- High quality components are factory tested before dispatch
- Advanced features reduce noise, condensation, water usage & improve hygiene
- Very easy to assemble, installation is simple with access to internal workings via large front opening
- Height adjustment (0+200mm) allows for un-even floors & concrete screeds flowing around adjustable feet.

**TECHNICAL DATA - SIZE**

- Height : See Individual Data Sheets
- Width : See Individual Data Sheets
- Depth : See Individual Data Sheets
- Removable Push Button / Flush Plate : Independent of frame choice, with various designs & finishes
- Height Adjustment : 0mm > 200mm

**TECHNICAL DATA - MATERIAL**

- Frame : Powder Coated Steel
- Flush & Fill Valves : High Quality ABS with 'Anti-Scale' feature
- Cisterns : Unique Blown Polymer with Welded Flush Pipe
- Push Buttons (see Data Sheet) : High Quality ABS

Approved for Issue - 4 June 2008

## INSTALLATION INSTRUCTIONS

- See Separate Sheet : Included

## CONTENTS

Supplied in Single BOX

- AquaeDUCT<sup>TM</sup> Load Bearing Installation Frame
- All items required to complete installation. Generally product dependant & typically include
  - WC Connection Set incl. Flush Pipe & Outlet Pipe Elbow
  - Flush & Outlet Pipe Blanking Pieces, Wall Fixing Brackets, WC Securing Studs & Nuts
  - Protection & Access Housing with Inner Cover

## PACKAGING

- Supplied in Single Heavy Duty Box
  - Size : Product specific. See Individual Data Sheets
  - Weight : Product specific. See Individual Data Sheets
- Bulk Shipping - Pallets
  - Total Quantity : Product specific. See Individual Data Sheets
  - Weight per Pallet : Product specific. See Individual Data Sheets

<i>Range</i>	<i>Size</i>	<i>ART No.</i>
AquaeDUCT <sup>TM</sup>	A100 – Wall Hung WC Installation System	012.01100
AquaeDUCT <sup>TM</sup>	A101 – Wall Hung WC Installation System	012.01101
AquaeDUCT <sup>TM</sup>	A102 – Wall Hung WC Installation System	012.01102
AquaeDUCT <sup>TM</sup>	A104 – Wall Hung Wash Basin Installation System	012.01104
AquaeDUCT <sup>TM</sup>	A105 – Wall Hung Bidet Installation System	012.01101
AquaeDUCT <sup>TM</sup>	A107 – Wall Hung Urinal Installation System	012.01107
AquaeDUCT <sup>TM</sup>	A110 – Wall Hung WC Installation System – Stud & Steel Walls	012.01110
AquaeDUCT <sup>TM</sup> M70	M70 Dual Flush Push Button - White	012.01000
AquaeDUCT <sup>TM</sup> M71	M71 Dual Flush Push Button – Polished Chrome	012.01001
AquaeDUCT <sup>TM</sup> M72	M72 Dual Flush Push Button – Matt Chrome	012.01002
AquaeDUCT <sup>TM</sup> M73	M73 Dual Flush Push Button – CP Mix, Pol Outer, Matt Buttons	012.01003
AquaeDUCT <sup>TM</sup> M74	M74 Dual Flush Push Button – CP Mix, Matt Outer, Pol Buttons	012.01004
AquaeDUCT <sup>TM</sup> M270	M270 Dual Flush Push Button - White	012.01020
AquaeDUCT <sup>TM</sup> M271	M271 Dual Flush Push Button – Polished Chrome	012.01021
AquaeDUCT <sup>TM</sup> M272	M272 Dual Flush Push Button – Matt Chrome	012.01022
AquaeDUCT <sup>TM</sup> M277	M277 Dual Flush Push Button – Anthracite	012.01027
AquaeDUCT <sup>TM</sup> M370	M370 Dual Flush Push Button - White	012.01030
AquaeDUCT <sup>TM</sup> M371	M371 Dual Flush Push Button – Polished Chrome	012.01031
AquaeDUCT <sup>TM</sup> M372	M372 Dual Flush Push Button – Matt Chrome	012.01032
AquaeDUCT <sup>TM</sup> M378	M378 Dual Flush Push Button – Black	012.01038
AquaeDUCT <sup>TM</sup> M470	M470 Dual Flush Push Button - White	012.01040
AquaeDUCT <sup>TM</sup> M471	M471 Dual Flush Push Button – Polished Chrome	012.01041
AquaeDUCT <sup>TM</sup> M472	M472 Dual Flush Push Button – Matt Chrome	012.01042
AquaeDUCT <sup>TM</sup> M478	M478 Dual Flush Push Button – Black	012.01048

E&OE

We reserve the right to alter & amend specifications without prior notice  
 This is not a specification document & does not guarantee performance

© Bathroom Engineering<sup>TM</sup> June 08

Bathroom Engineering<sup>TM</sup> is the t

Registered in England N<sup>o</sup>. 4323895