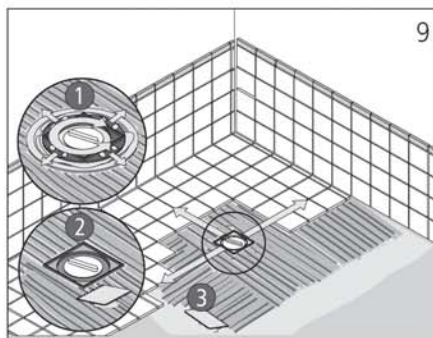
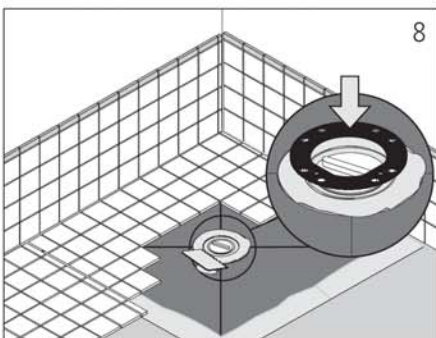
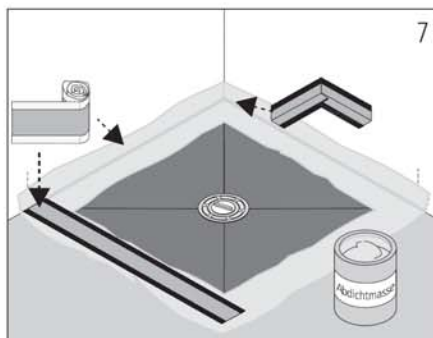
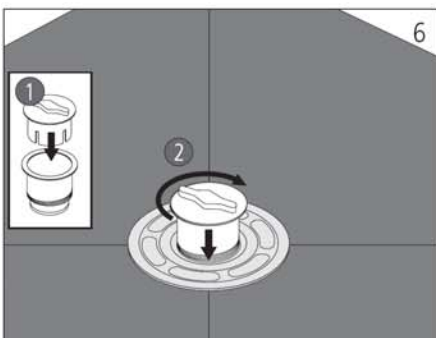
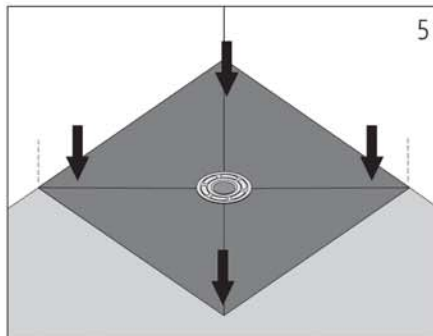
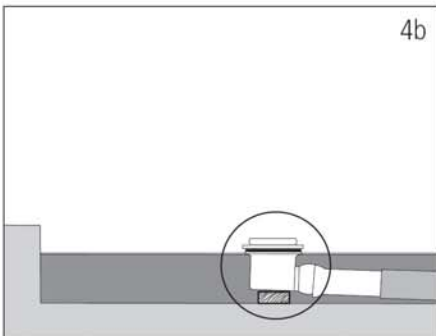
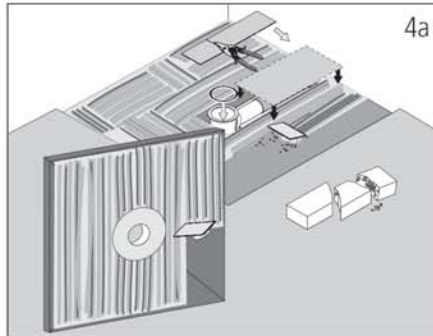
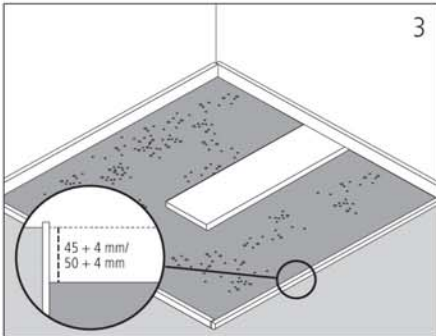
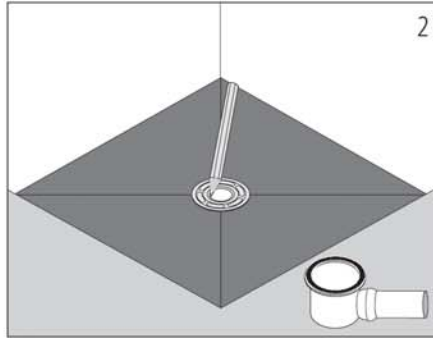
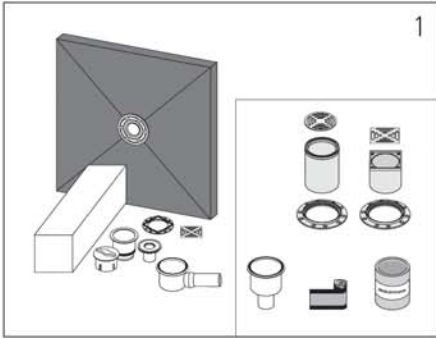


# How to fit a Wet Room shower base..!

## Simple Installation Guide - NEW CONCRETE Floor



- **PREPARATION**
  - Ensure sufficient space is left for the shower base when making up the floor structure.
  - Decide where the base will be fitted, & mark out on the floor, including the hole for the waste.
  - Fill the void with suitable material, allowing for the waste pipe & trap. Ensure this supporting area is flat so the shower base can be fully supported.
- **INSTALLATION**
  - Fit the drain body to the 2" waste pipe, & place the rubber seal on top of the trap.
  - Bed down the shower base completely level applying a suitable, good quality, flexible tile adhesive to the floor & underside of the base.
  - Positively align the shower base in line, & over the drain body before the adhesive sets
  - Screw the drain top section through the shower base with the key. Tape the key in place to stop debris falling into the waste & trap.
  - Take particular care to ensure the shower base is completely level across all four sides
  - Apply waterproof paint to the edge of the base, & surrounding surfaces (walls or floor) to secure the rubber joint sealing tape. A second layer of tanking material over the sealing tape will create a seamless & completely waterproof barrier, ready for tiles to be fitted.
- **FINISHING**
  - Tiles should be cut & laid so that the slope leading to the drain is maintained, especially along the 4x V shaped valleys.
  - When tiling, use suitable, good quality, flexible tile adhesive.
  - Large tiles will allow a quicker installation, & some feel it reduces the risk of subsequent water ingress.
  - The outlet cover is secured with adhesive when tiling, & the unique floating design allows re-positioning to ensure a perfect finish.
  - Use the highest quality grout to fill gaps between tiles.
- **NOTE** - You can trim up to 5cm Shower Bases (excludes Heavy Duty model) from any side.
- **CONTENTS**
- BF - Base Former, c/w waste & trap
- /BASE -Wet Room in a Box. Incl. Shower Base, Waste & Trap, Sealing Tape, & Waterproof Tanking.

